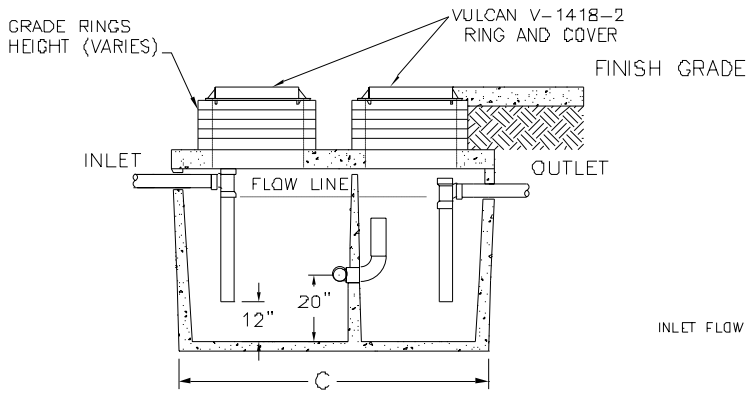


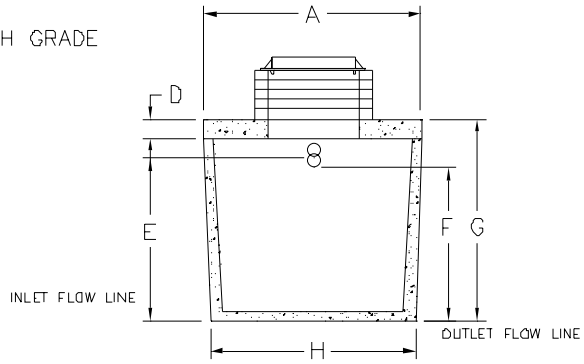
PLAN VIEW

GENERAL NOTES:

1. ALL CONCRETE SHALL HAVE A MIX DESIGN OF 5000 PSI WITH A MINIMUM OF 5 SACKS OF STANDARD TYPE 1 CEMENT.
2. ALL REINFORCING BARS SHALL BE CLEAN, NEW AND FREE OF DIRT, RUST, OR OIL AND SHALL MEET OR EXCEED THE REQUIREMENTS OF ASTM A-615M, GRADE 60
3. WELDED WIRE FABRIC SHALL BE CLEAN, NEW AND FREE OF DIRT, RUST, OR OIL AND SHALL MEET OR EXCEED THE REQUIREMENTS OF ASTM A-185.
4. LAP REBARS AT ALL SPLICES A MINIMUM OF 36 BAR DIAMETERS.
5. ALL REINFORCING SHALL BE SET AND TIED, ALL CONCRETE SHALL BE PLACED, FINISHED, AND CURED PER ACI 318-83 SPECIFICATIONS AND PER ALL SAFETY PROVISIONS OF OSHA
6. MANUFACTURER RESERVES THE RIGHT TO MAKE CHANGES WHENEVER NECESSARY, PROVIDING THE CHANGES DO NOT AFFECT THE PERFORMANCE OF THE INTERCEPTOR.



SECTION VIEW



END SECTION VIEW

NOTE: WE MUST KNOW IF YOU WILL NEED ANY ADDITIONAL INLET AND OUTLETS PORTS PRIOR TO SCHEDULING DELIVERY.

GREASE INTERCEPTOR DIMENSIONS
INCHES

SIZE OF INTERCEPTOR	A	B	C	D	E	F	G	H
500 GALLONS	52"	67"	62"	6"	48"	45"	62"	48"
750 GALLONS	67"	77"	72"	6"	50"	47"	62"	63"
1,000 GALLONS	67"	99"	95"	6"	50"	47"	62"	63"
1,500 GALLONS	67"	149"	145"	6"	50"	47"	63"	63"
2,000 GALLONS **	68"	128"	128"	6"	83"	80"	97"	68"
2,500 GALLONS **	68"	128"	128"	6"	96"	93"	109"	68"

** INTERCEPTOR ARE BUILT IN MULTIPLE PIECE SECTIONS, OR MONOLITHIC UNITS. CUSTOM BUILT INTERCEPTORS UP TO 18,000 GALLON CAPACITY.

GREASE INTERCEPTORS

WALLIS CONCRETE, INC.

P.O. BOX 789
WALLIS, TEXAS 77485

PHONE: (800) 852-7880
FAX: (979) 478-6753